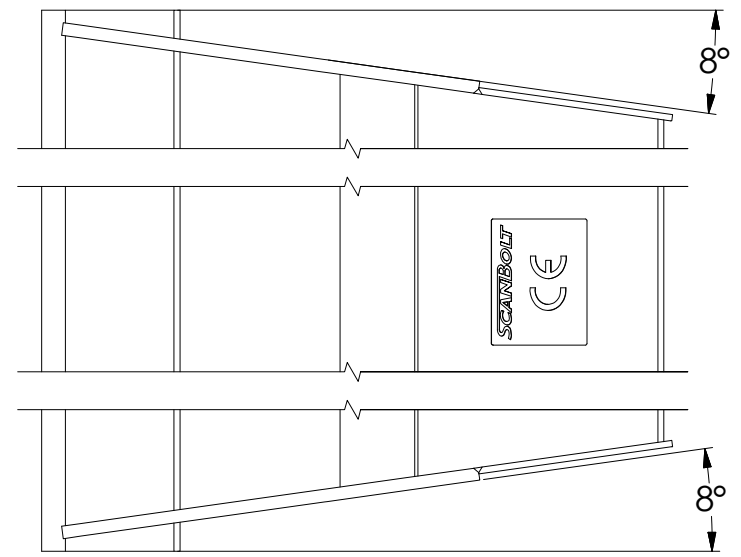


8 7 6 5 4 3 2 1

D

D

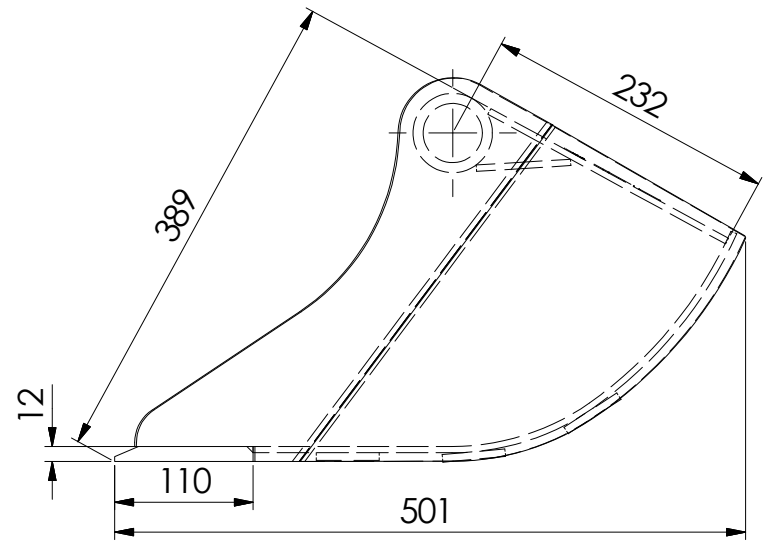
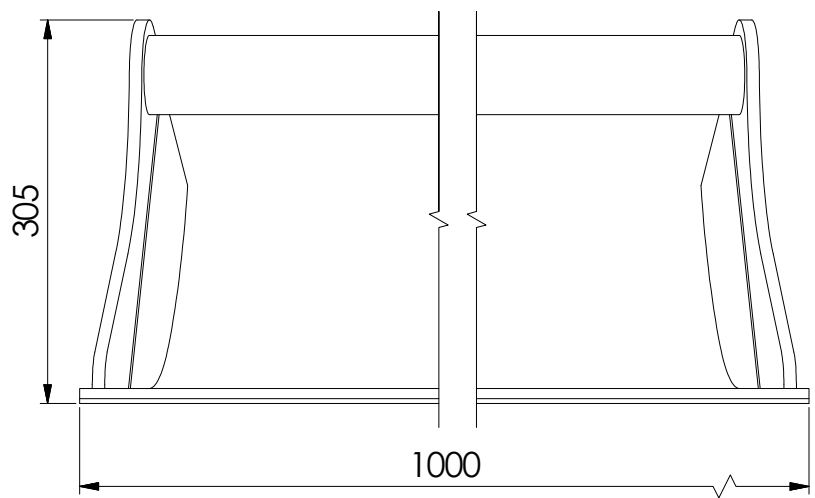


C

C






B

B



A

A

MATERIAL SPECIFICATION	
	ST52.3
	EN8D
	HB 400
	HB 450
	CASTALLOY STEEL

SCANBOLT®	
DESCRIPTION	100CM CLEANING BUCKET
MACHINE CLASS	1.3 - 2.4 TON
WEIGHT	61.5 Kg
HEAPED CAPACITY	92.6 LITERS

8 7 6 5 4 3 2 1